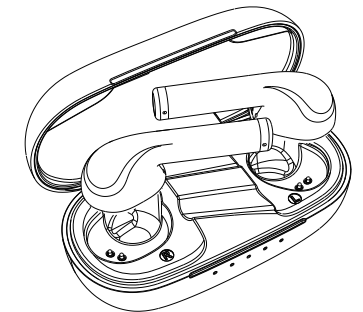


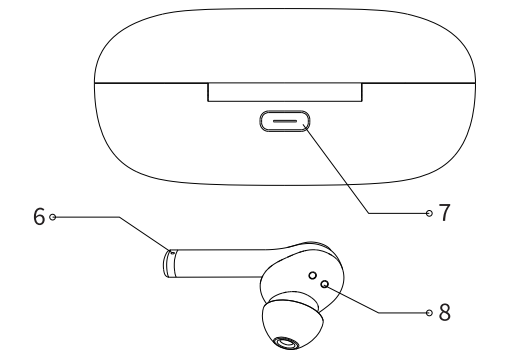
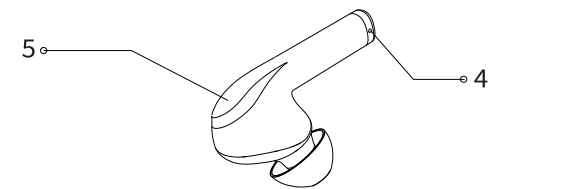
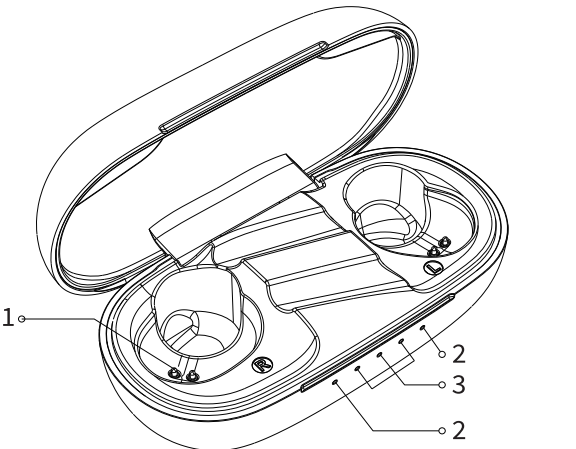
SoundMax

Premium Wireless Earphones



User Guide

Product Overview



1. Magnetic Charging Pins on Case

The charging contact pins connect with the earphones to charge the built-in battery in the earphones.

2. Earphone Charging Status Indicator

Red LED solid light appears when charging the earphones and will stop when the earphones are fully charged.

3. Case Charging Status Indicator

White LED flashing light will appear when the charging box is connected to power; the white LED flashing light will then turn to solid light when the charging box is fully charged.

4. Microphone

Each earphone has a built-in microphone which enables to take phone calls individually with single earphone, or take stereo phone conversations with both earphone.

5. Tap Control Sensor

Refer to tap control instructions for proper operations to control the earphones.

6. Earphones LED Indicator

LED indicator light will change depending on the earphones' mode.

7. USB-C Charging Port

Use USB type-C charging cable to charge the case.

8. Magnetic Charging Pins on Earphones

Charging begins when the earphone contact pins are connected with the charging pins on case.

9. Connect SoundMax to Your Phone

Turn on Bluetooth on your device and find "SoundMax" to connect.

Tap Control Instruction

A. Tap twice on either earphone to answer / hang up/ play / pause.

B. Tap three times to refuse the call.

C. Next song: Tap the left earphones three times to play the next song.

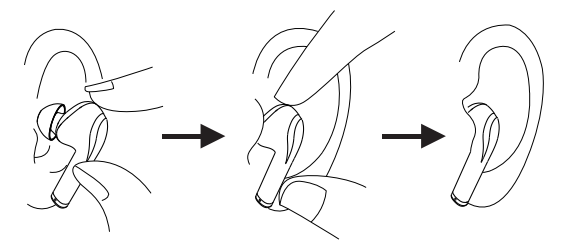
D. Previous song: Tap the right earphones three times to play the previous song.

Use Single Earphone

Take out both earphones and pair them first, then put one earphone back into the charging box. A blue LED light will flash slowly when the single earphone is connected successfully.

Wearing SoundMax

Place the earphones with ear tips into your ear canal, rotate gently until the earphones fit comfortably. Wearing in the wrong way may affect earphone's signal and microphone when calling.



Helpful note:

There are multiple ear tip sizes that are suitable for your ears. To get the best sound quality, please choose the ear tips that can completely cover your ear canal.

Product Specifications

Product Name: Premium Wireless Earphones

Product Model: SoundMax

Bluetooth Name: SoundMax

Bluetooth Distance: 33 feet

Frequency Range: 20Hz - 20KHz

Charging Case Input Voltage: 5V/1A

Music Play Time: 8 hours with earphones;

24 hours with case

Charging Port: USB Type-C

Earphone Weight: 0.1oz

Overall Weight: 2.3oz

Packing List: earphone x 2, charging case x 1,

USB-C charging cable x 1, ear tip pairs x 3, user

manual x 1

Attention

1. Before you use the product please read the manual carefully and keep it for reference.

2. Do not disassemble the product by yourself.

3. Keep the product away from heat sources.

4. Do not place the product in humid climates.

5. Keep water or other liquid away from the product.

6. Please avoid dropping.

7. Keep the product away from chemical solvent.

8. Charge this product with DC 5V charger only.

9. Fully charge before you use the headphones for the first time.

10. Product contains batteries and must be disposed properly. Do not try to replace the built-in batteries by yourself.

Warranty & Return Policy

KNZ Technology LLC warrants this product as free of defects in material, design, and workmanship for the period of one year from the original date of purchase. The warranty is limited to the original purchaser. If during the period of warranty this product proves defective under normal use and service, you should return the product to the retailer from whom it was purchased or to an authorized warranty center.

The liability of KNZ Technology LLC and its appointed repair company is limited to the cost of repair and/or replacement of the product under warranty. Products sent for warranty service must be accompanied by a copy of the original purchase receipt, the original box, materials, and accessories. All cost associated with the return of the product under warranty are the responsibility of the original purchaser. Shipping and Handling Fee will apply in order for KNZ Technology LLC to ship out a new/refurbished product to a customer. KNZ Technology LLC will not assume any responsibility for any loss or damage occurred in shipping.

KNZ is registered trademark of KNZ Technology LLC. All other trademarks are the property of their respective owners. Copyright 2019. All rights reserved. This product is not a toy. Contains small parts, not for children under 3 years.

FCC Statement

This equipment has been tested and found to comply with the limits for a Class B digital device, pursuant to part 15 of the FCC Rules. These limits are designed to provide reasonable protection against harmful interference in a residential installation. This equipment generates uses and can radiate radio frequency energy and, if not installed and used in accordance with the instructions, may cause harmful interference to radio communications. However, there is no guarantee that interference will not occur in a particular installation. If this equipment does cause harmful interference to radio or television reception, which can be determined by turning the equipment off and on, the user is encouraged to try to correct the interference by one or more of the following measures: -Reorient or relocate the receiving antenna. -Increase the separation between the equipment and receiver. -Connect the equipment into an outlet on a circuit different from that to which the receiver is connected. -Consult the dealer or an experienced radio/TV technician for help.

This device complies with part 15 of the FCC Rules. Operation is subject to the following two conditions:(1) This device may not cause harmful interference, and (2) this device must accept any interference received, including interference that may cause undesired operation.

Changes or modifications not expressly approved by the party responsible for compliance could void the user's authority to operate the equipment.

For further inquiries please visit www.knztech.com/support.